



SATA 2.5" Product Manual

**Standard models**

ST5000LM000-2U8170

ST4000LM024-2U817V

100804767, Rev. J

September 2020

## Document Revision History

Revision	Date	Pages affected and Description of change
Rev. A	07/19/2016	Initial release.
Rev. B	09/06/2016	6 & 8: Changed Weight (typical) to Weight (max) 13: Removed '2004/108/EC (Until 19th April, 2016) and' & '(From 20th April, 2016)' 13: Modified EMC Standard from EN55022 to EN55032 13: Added Korean text for Class B device warning
Rev. C	10/10/2016	fc: Applied BarraCuda logo and Added model numbers 10: Added bullets to Section 2.8.1 Power consumption 10: Updated Table 4 DC Power Requirements 13: Updated to MSIP Korean text for Class B device warning
Rev. D	11/17/2016	5: Revised bullet list 6 & 8: Revised Data transfer rate = 140MB/s 6 & 10: Start-up current = 1.2A 10: Updated Section 2.8.1 11: Added Section 2.8.4
Rev. E	02/21/2017	7: Added Power-off/Flush Command note after Table 1 7 & 14: Revised Rated Workload statements 14: Added Section 2.12.1 Data loss under power interruption with write cache enabled
Rev. F	09/28/2017	16-19: Updated Safety, EMC, FCC & RoHS Sections 2.13 through 2.14.3, per Compliance Council
Rev. G	07/30/2018	19: Updated Table 9: Taiwan - Restricted Substances 21: Revised Figure 2: Mounting Dimensions (for 1-disk models)
Rev. H	01/18/2019	27: Updated: Table 12 Identify Device command - Words 84, 85 & 87.
Rev. J	09/30/2020	fc, 6-8, & 22-24: Added Product Model Numbers to ST models fc, 6-10, & 22-24: Removed 3TB Model Number & references. 5: Updated Seagate Technical Support Services page 11: Updated Table 4 DC power requirements 13: Updated Op & Non-Op Vibration values in Section 2.9.2 Vibration 14: Updated Table 6 Drive A-weighted Sound Power Levels (SWL, BA) 14: Updated Radiated RF immunity in Table 7 Radio Frequency Environments 15: Replaced Regulatory Compliance and Safety information with URL and instructions 15: Added Regulatory model number 17: Revised Figure 2 title to: Mounting Dimensions bc: Updated US-HQ address & removed others

© 2020 Seagate Technology LLC. All rights reserved.

Publication number: 100804767, Rev. J September 2020

Seagate, Seagate Technology, BarraCuda and the Spiral logo are registered trademarks of Seagate Technology LLC in the United States and/or other countries. MTC Technology and SeaTools are either trademarks or registered trademarks of Seagate Technology LLC or one of its affiliated companies in the United States and/or other countries. All other trademarks or registered trademarks are the property of their respective owners.

No part of this publication may be reproduced in any form without written permission of Seagate Technology LLC.  
Call 877-PUB-TEK1 (877-782-8351) to request permission.

When referring to drive capacity, one gigabyte, or GB, equals one billion bytes and one terabyte, or TB, equals one trillion bytes. Your computer's operating system may use a different standard of measurement and report a lower capacity. In addition, some of the listed capacity is used for formatting and other functions, and thus will not be available for data storage. Actual quantities will vary based on various factors, including file size, file format, features and application software. Actual data rates may vary depending on operating environment and other factors. The export or re-export of hardware or software containing encryption may be regulated by the U.S. Department of Commerce, Bureau of Industry and Security (for more information, visit [www.bis.doc.gov](http://www.bis.doc.gov)), and controlled for import and use outside of the U.S. Seagate reserves the right to change, without notice, product offerings or specifications.

---

# Contents

<b>Seagate® Technology Support Services</b> .....	<b>5</b>
<b>1. Introduction</b> .....	<b>6</b>
1.1 About the Serial ATA Interface .....	6
<b>2. Specifications</b> .....	<b>7</b>
2.1 Specification Summary .....	7
2.2 Formatted Capacity .....	8
2.2.1 LBA mode .....	9
2.3 Physical organization .....	9
2.4 Recording and Interface Technology .....	9
2.5 Physical Characteristics .....	9
2.6 Seek time .....	10
2.7 Start/stop times .....	10
2.8 Power Specifications .....	11
2.8.1 Power consumption .....	11
2.8.2 Conducted noise .....	11
2.8.3 Supply Voltage .....	11
2.8.4 Power-management modes .....	12
2.9 Environmental Specifications .....	13
2.9.1 Shock .....	13
2.9.2 Vibration .....	13
2.10 Acoustics .....	14
2.10.1 Test for prominent discrete tones (PDTs) .....	14
2.11 Electromagnetic Immunity .....	14
2.12 Reliability .....	15
2.12.1 Data loss under power interruption with write cache enabled .....	15
2.13 HDD and SSD Regulatory Compliance and Safety .....	15
2.13.1 Regulatory models .....	15
2.14 Corrosive Environment .....	15

---

# Contents

<b>3. Unpacking, Configuring and Mounting the Drive</b>	<b>16</b>
3.1 Handling and Static-Discharge Precautions	16
3.2 Configuring the Drive	16
3.2.1 Serial ATA Cables and Connectors	16
3.3 Drive Mounting	17
<b>4. Serial ATA (SATA) Interface</b>	<b>18</b>
4.1 Hot-Plug Compatibility	18
4.2 Serial ATA Device Plug Connector Pin Definitions	18
4.3 Supported ATA Commands	19
4.3.1 Identify Device command	22
4.3.2 Set Features command	26
4.3.3 S.M.A.R.T. commands	27

---

Figure 1.	Attaching SATA Cabling .....	16
Figure 2.	Mounting Dimensions .....	17

# Seagate® Technology Support Services

For Seagate Product Support, visit: <https://www.seagate.com/support>

For Seagate Compliance, Safety, and Disposal, visit: <https://www.seagate.com/support>

For Firmware Download and Tools Download for Secure Erase, visit: <https://www.seagate.com/support/downloads/>

For information regarding online support and services, visit: <http://www.seagate.com/contacts/>

For information regarding Warranty Support, visit: <http://www.seagate.com/support/warranty-and-replacements/>

For information regarding data recovery services, visit: <http://www.seagate.com/services-software/recover/resources/>

For Seagate OEM and Distribution partner and Seagate reseller portal, visit: <http://www.seagate.com/partners>

---

# 1. Introduction

This manual describes the functional, mechanical and interface specifications for the following: Seagate® BarraCuda® model drives:

Standard models	
ST5000LM000-2U8170	ST4000LM024-2U817V

These drives provide the following key features:

- 128MB buffer.
- 5400-RPM spindle speed.
- 650 Gs non-operating shock and 300 Gs of operating shock.
- Full-track multiple-sector transfer capability without local processor intervention.
- High instantaneous (burst) data-transfer rates (up to 6Gb/s).
- MTC Technology™, proprietary data flow management.
- Native Command Queuing (NCQ) with command ordering.
- Quiet operation with Fluid Dynamic Bearing (FDB) motor.
- SeaTools™ diagnostic software performs a drive self-test that eliminates unnecessary drive returns.
- Shingled magnetic recording with perpendicular magnetic recording heads/media.
- State-of-the-art cache and on-the-fly error-correction algorithms.
- Support for Read Multiple and Write Multiple commands.
- Support for S.M.A.R.T. drive monitoring and reporting.
- Worldwide Name (WWN) capability uniquely identifies the drive.

## 1.1 About the Serial ATA Interface

The Serial ATA interface provides several advantages over the traditional (parallel) ATA interface. The primary advantages include:

- Easy installation and configuration with true plug-and-play connectivity. It is not necessary to set any jumpers or other configuration options.
- Thinner and more flexible cabling for improved enclosure airflow and ease of installation.
- Scalability to higher performance levels.

In addition, Serial ATA makes the transition from parallel ATA easy by providing legacy software support. Serial ATA was designed to allow users to install a Serial ATA host adapter and Serial ATA disk drive in the current system and expect all of the existing applications to work as normal.

The Serial ATA interface connects each disk drive in a point-to-point configuration with the Serial ATA host adapter. There is no master/slave relationship with Serial ATA devices like there is with parallel ATA. If two drives are attached on one Serial ATA host adapter, the host operating system views the two devices as if they were both “masters” on two separate ports. This essentially means both drives behave as if they are Device 0 (master) devices.

### Note

The host adapter may, optionally, emulate a master/slave environment to host software where two devices on separate Serial ATA ports are represented to host software as a Device 0 (master) and Device 1 (slave) accessed at the same set of host bus addresses. A host adapter that emulates a master/slave environment manages two sets of shadow registers. This is not a typical Serial ATA environment.

The Serial ATA host adapter and drive share the function of emulating parallel ATA device behavior to provide backward compatibility with existing host systems and software. The Command and Control Block registers, PIO and DMA data transfers, resets, and interrupts are all emulated.

The Serial ATA host adapter contains a set of registers that shadow the contents of the traditional device registers, referred to as the Shadow Register Block. All Serial ATA devices behave like Device 0 devices. For additional information about how Serial ATA emulates parallel ATA, refer to the *Serial ATA International Organization: Serial ATA* (Revision 2.6). The specification can be downloaded from [www.serialata.org](http://www.serialata.org).

## 2. Specifications

Unless otherwise noted, all specifications are measured under ambient conditions, at 25°C, and nominal power. For convenience, the phrases *the drive* and *this drive* are used throughout this manual to indicate the following drive models:

The specification summaries listed in the following tables are for quick reference. For details on specification measurement or definition, refer to the appropriate section of this manual.

### 2.1 Specification Summary

**Table 1** Drive Specifications Summary

Drive Specification	ST5000LM000-2U8170	ST4000LM024-2U817V
Formatted capacity <sup>1</sup>	5000GB	4000GB
Guaranteed sectors	9,767,541,168	7,814,037,168
Heads	10	10 / 8
Disks	5	5 / 4
Bytes per sector	512 (logical) / 4096 (physical)	
Recording density	2254 Kb/in	
Track density	580 Ktracks/in avg	
Areal density	1307 Gb/in <sup>2</sup> avg	
Spindle speed	5400 RPM	
Data transfer rate (up to)	140 MB/s	
Interface	SATA 6Gb/s	
ATA data-transfer modes supported	PIO modes 0–4 Multiword DMA modes 0–2 Ultra DMA modes 0–6	
Cache buffer	128 MB	
Height	15.0 +0.5/- 0.25 mm (0.59 +0.002/-0.010 in)	
Width	69.85 +/- 0.25 mm (2.750 +/- 0.010 in)	
Length	100.35 +0.20 / -0.25 mm (3.951 +0.008 / -0.010 in)	
Weight (max)	190 g (0.42lb)	
Average latency	5.6 ms	
Startup current, Max (+5V)	1.2A	
Voltage tolerance (including noise)	5V ± 5%	
Operating temperature	0° to 60°C	
Non-operating temperature (Ambient)	-40° to 70°C	
Temperature gradient (max)	20°C per hour max (operating) 35°C per hour max (non-operating)	



**Table 1 Drive Specifications Summary (continued)**

Drive Specification	ST5000LM000-2U8170	ST4000LM024-2U817V
Relative humidity	5% to 95% (operating) 5% to 95% (non-operating)	
Relative humidity gradient	20°C per hour max (operating) 30°C per hour max (non-operating)	
Wet bulb temperature (max)	37.7°C max (operating) 40.0°C max (non-operating)	
Altitude, operating	-304.8 m to 3048 m (-1000 ft to 10,000+ ft)	
Altitude, non-operating (below mean sea level, max)	-304.8 m to 12,192 m (-1000 ft to 40,000+ ft)	
Operational Shock	300 Gs at 2 ms max	
Non-Operational Shock	650 Gs at 1 ms max	
Vibration, operating	10–500 Hz: 0.7 Grms	
Vibration, non-operating	5–500 Hz: 2.2 Grms	
Nonrecoverable read errors	1 per 10 <sup>14</sup> bits read	
Rated workload	Average annualized workload rating: <55 TB/year. The specifications for the product assumes the I/O workload does not exceed the average annualized workload rate limit of 55 TB/year. Workloads exceeding the annualized rate may degrade and impact reliability as experienced by the particular application. The average annualized workload rate limit is in units of TB per calendar year.	
Warranty	To determine the warranty for a specific drive, use a web browser to access the following web page: <a href="http://www.seagate.com/support/warranty-and-replacements/">http://www.seagate.com/support/warranty-and-replacements/</a> . From this page, click on the “Is my Drive under Warranty” link. The following are required to be provided: the drive serial number, model number (or part number) and country of purchase. The system will display the warranty information for the drive.	
Load-unload cycles	600,000 at 25°C, 50% rel. humidity	
Supports Hotplug operation per the Serial ATA Revision 3.2 specification	Yes	

- One GB equals one billion bytes when referring to hard drive capacity. Accessible capacity may vary depending on operating environment and formatting.

<b>Note</b>	If the drive is powered-off before issuing flush cache command, in some instances, the end user data in the DRAM cache might not be committed to the disk.
-------------	--

## 2.2 Formatted Capacity

Model	Formatted Capacity <sup>1</sup>	Guaranteed Sectors	Bytes per Sector
5TB models	5000 GB	9,767,541,168	512 (logical) / 4096 (physical)
4TB models	4000 GB	7,814,037,168	

- One GB equals one billion bytes when referring to hard drive capacity. Accessible capacity may vary depending on operating environment and formatting.

---

### 2.2.1 LBA mode

When addressing these drives in LBA mode, all blocks (sectors) are consecutively numbered from 0 to  $n-1$ , where  $n$  is the number of guaranteed sectors as defined above.

Refer to [Unpacking, Configuring and Mounting the Drive](#) on page 16 (words 60-61 and 100-103) for additional information about 48-bit addressing support of drives with capacities over 137 GB.

## 2.3 Physical organization

Drive model	Read/write heads	Number of discs
5TB models	10	5
4TB models	10 / 8	5 / 4

## 2.4 Recording and Interface Technology

Interface	Serial ATA (SATA)
Recording method	Perpendicular
Recording density	2254 Kb/in
Track density	580 Ktracks/in avg
Areal density	1307 Gb/in <sup>2</sup> avg
Spindle speed	5400 RPM
Data transfer rate (up to)	140 MB/s
Interface	SATA 6Gb/s

## 2.5 Physical Characteristics

<b>All models</b>	Height	15.0 +0.5/- 0.25 mm (0.59 +0.008/-0.010 in)
	Width	69.85 +/- 0.25 mm (2.750 +/- 0.010 in)
	Length	100.35 +0.20 / -0.25 mm (3.951 +0.008 / -0.010 in)
	Weight (max)	190 g (0.42lb)
	Cache buffer	128 MB (129,536 KB)

---

## 2.6 Seek time

Seek measurements are taken with nominal power at 25°C ambient temperature. All times are measured using drive diagnostics. The specifications in the table below are defined as follows:

- Average seek time is determined by averaging the time to complete 1,000 seeks of random length.
- Average latency is the time required for the drive to rotate 1/2 of a revolution and on average is incurred after a seek completion prior to reading or writing user data.
- Startup time is the time elapsed between the supply voltages reaching operating range and the drive being ready to accept all commands.
- Actual rotational speed can be different a little.
- Performance specification is limited to the room temperature & normal voltage condition.

**Table 2: Typical seek times**

Typical seek times (ms)	Read/Write
Average	14.0/14.0
Average latency	5.6

**Note**

Seek time is defined as the time from the receipt of a read, write or seek command until the actuator has repositioned and settled on the desired track with the drive operating at nominal DC input voltages and nominal operating temperature.

## 2.7 Start/stop times

**Table 3: Start/stop times**

Capacity	5TB and 4TB models
Typical seek times (ms)	Typical
Power-on to ready (sec)	7.5
Standby to ready (sec)	6.5

---

## 2.8 Power Specifications

The drive receives DC power (+5V) through a native SATA power connector (refer to1).

### 2.8.1 Power consumption

Power requirements for the drives are listed in the table in Table 4. Typical power measurements are based on an average of drives tested, under nominal conditions, at 25°C ambient temperature. These power measurements are done with DIPM enabled.

- Spinup current is measured from the time of power-on to the time that the drive spindle reaches operating speed.
- Read/Write current is measured with the heads on track, based on three 64 sector read or write operations every 100 ms.
- The drive supports two idle modes: Active Idle mode and Low Power Idle mode. Refer to Section 2.8.4 for power-management modes.

**Table 4: DC Power Requirements**

Power Dissipation	All models +5V input average (25° C)
Spinup (max)	1.2A
Write average	2.40W
Read average	2.40W
Idle, low power mode	1.45W
Standby <sup>1</sup>	0.18W
Sleep	0.18W

1. Standby power is measured at steady state (after 200ms from transition)

### 2.8.2 Conducted noise

Input noise ripple is measured at the host system power supply across an equivalent 15-ohm resistive load on the +5 volt line.

- Using 5-volt power, the drive is expected to operate with a maximum of 100 mV peak-to-peak square-wave injected noise at up to 20 MHz.

<b>Note</b>	Equivalent resistance is calculated by dividing the nominal voltage by the typical RMS read/write current.
-------------	--

### 2.8.3 Supply Voltage

Allowable voltage	5V ± 5%
Allowable noise/ripple	100 mV p-p max, 0-30 MHz
Allowable supply rise time	1-100 ms
Allowable supply fall time	<5 s

---

#### 2.8.4 Power-management modes

The drive provides programmable power management to provide greater energy efficiency. In most systems, users can control power management through the system setup program. The drive features the following power-management modes:

Power modes	Heads	Spindle	Electronics
Active	Tracking	Rotating	Full Power
Idle, Active	Floating	Rotating	Partial Power
Idle, Low Power	Parked	Rotating	Partial Power
Standby	Parked	Stopped	Low Power
Sleep	Parked	Stopped	Low Power

- **Active mode**

The drive is in Active mode during the read/write and seek operations.

- **Idle mode**

The electronics remain powered, and the drive accepts all commands and returns to Active mode when disk access is necessary.

- **Standby mode**

The drive enters Standby mode immediately when the host sends a Standby Immediate command. If the host has set the standby timer, the drive enters Standby mode automatically after the drive has been inactive for a specifiable length of time. The standby timer delay is established using a Standby or Idle command. In Standby mode, the electronics are in low power mode, the heads are parked and the spindle is at rest. The drive accepts all commands and returns to Active mode when disk access is necessary.

- **Sleep mode**

The drive enters Sleep mode after receiving a Sleep command from the host. In Sleep mode, the electronics are in low power mode, the heads are parked and the spindle is at rest. The drive leaves Sleep mode after it receives a Hard Reset or Soft Reset from the host. After receiving a reset, the drive exits Sleep mode and enters Standby mode.

## 2.9 Environmental Specifications

This section provides the temperature, humidity, shock, and vibration specifications for Seagate BarraCuda drives.

Ambient temperature is defined as the temperature of the environment immediately surrounding the drive.

Above 1000 feet (305 meters), the maximum temperature is derated linearly by 1°C every 1000 feet.

**Table 5: Environmental specifications**

Parameters	Operating	Non-Operating
Ambient temperature	0° to 60°C (32° to 140°F)	-40° to 70°C (-40° to 158°F)
Temperature gradient	20°C per hour (68°F per hour) max, without condensation	35°C per hour (95°F per hour) max, without condensation
Humidity	5% to 95% non-condensing (30% per hour)	5% to 95% non-condensing (30% per hour)
Wet bulb	37.7°C (99.8°F) max	40°C (104°F) max
Altitude	-304.8m to 3048m (-1000ft to 10,000ft)	-304.8m to 12,192m (-1000ft to 40,000ft)

**Note**

The recommended storage period:

- 1 year under controlled conditions of 34°C 90%RH or less
- 90 days in uncontrolled storage conditions

### 2.9.1 Shock

All shock specifications assume that the drive is mounted securely with the input shock applied at the drive mounting screws. Shock may be applied in the X, Y, or Z axis.

#### 2.9.1.1 Operating shock

These drives comply with the performance levels specified in this document when subjected to a maximum operating shock of 300 Gs based on half-sine shock pulses of 2 ms. Shocks should not be repeated more than one time per axis.

Shocks should not be repeated more than one time per axis. There must be a minimum delay of 3 seconds between pulses.

#### 2.9.1.2 Non-operating shock

The non-operating shock level that the drive can experience without incurring physical damage or degradation in performance when subsequently put into operation is 650 Gs based on a non-repetitive half-sine shock pulse of 1 ms duration.

### 2.9.2 Vibration

All vibration specifications assume that the drive is mounted securely with the input vibration applied at the drive mounting screws. Vibration may be applied in the X, Y, or Z axis.

#### 2.9.2.1 Operating vibration

The maximum vibration levels that the drive may experience while meeting the performance standards specified in this document are specified below.

10-500 Hz, Sequential	0.7 Grms
-----------------------	----------

#### 2.9.2.2 Non-operating vibration

The maximum non-operating vibration levels that the drive may experience without incurring physical damage or degradation in performance when subsequently put into operation are specified below.

5-500 Hz, Random	2.2 Grms
------------------	----------

## 2.10 Acoustics

Drive emission of sound is measured consistent with the ECMA-74 and its referenced standards. Testing is conducted at room temperature (approximately 25°C). Emission levels are reported as the total A-weighted sound power levels for steady state, idle, and active seeks modes of operation.

**Table 6: Drive A-weighted Sound Power Levels (SWL, BA)**

	Idle <sup>1</sup>	Performance Seek
<b>5-disk models</b>	2.7 bels (typ)	2.9 bels (typ)
<b>4-disk models</b>	2.6 bels (typ)	2.7 bels (typ)

1. During periods of drive idle, some offline activity may occur according to the S.M.A.R.T. specification, which may increase acoustic and power to operational levels.

### 2.10.1 Test for prominent discrete tones (PDTs)

Seagate follows the ECMA-74 standards for measurement and identification of PDTs. An exception to this process is the use of the absolute threshold of hearing. Seagate uses the lower limit for the threshold curve\* to discern tone audibility and to compensate for the inaudible components of sound prior to computation of tone ratios according to Annex D of the ECMA-74 standards.

\*Defined as the median curve given by ISO 389-7 (Tf curve) minus 10dB at all frequencies.

## 2.11 Electromagnetic Immunity

When properly installed in a representative host system, the drive operates without errors or degradation in performance when subjected to the radio frequency (RF) environment as defined in Table 7.

**Table 7 Radio Frequency Environments**

Test	Description	Performance Criteria	Reference Standard
Electrostatic discharge	Contact, HCP, VCP: $\pm 4$ kV; Air: $\pm 8$ kV	B	EN 61000-4-2: 95
Radiated RF immunity	80 to 1GHz, 3 V/m, 80% AM with 1 kHz sine	A	EN 61000-4-3: 96
Electrical fast transient	$\pm 1$ kV on AC mains, $\pm 0.5$ kV on external I/O	B	EN 61000-4-4: 95
Surge immunity	$\pm 1$ kV differential, $\pm 2$ kV common, AC mains	B	EN 61000-4-5: 95
Conducted RF immunity	150 kHz to 80 MHz, 3 Vrms, 80% AM with 1 kHz sine	A	EN 61000-4-6: 97
Power Frequency H-field immunity	1 A/m, 50Hz/60Hz, 3 axes	A	EN 61000-4-8: 97
Voltage dips, interrupts	30% Reduction for 25 cycles >95% Reduction for 250 cycles >95%, 0.5 cycles	C C B	EN 61000-4-11: 94

---

## 2.12 Reliability

Nonrecoverable read errors	1 per 10 <sup>14</sup> bits read, max
Load/Unload (U/UL) 25°C, 50% relative humidity	600,000 software-controlled power on/off cycles 20,000 hard power on/off cycles
Rated workload	Average annualized workload rating: <55 TB/year. The specifications for the product assumes the I/O workload does not exceed the average annualized workload rate limit of 55 TB/year. Workloads exceeding the annualized rate may degrade and impact reliability as experienced by the particular application. The average annualized workload rate limit is in units of TB per calendar year.
Warranty	To determine the warranty for a specific drive, use a web browser to access the following web page: <a href="http://www.seagate.com/support/warranty-and-replacements/">http://www.seagate.com/support/warranty-and-replacements/</a> . From this page, click on the "Is my Drive under Warranty" link. The following are required to be provided: the drive serial number, model number (or part number) and country of purchase. The system will display the warranty information for the drive.

### 2.12.1 Data loss under power interruption with write cache enabled

Drive preserves its data during all operations except in cases where power to the drive is interrupted during write operations. This could result in either an uncorrected data error being reported, or the entire sector/track becoming unreadable. This can be permanently recovered by rewriting to the same location on the drive. Additionally any data present in the DRAM buffer will not be written to the disk media, additionally, the drive will not be able to return the original data.

In order to prevent this data loss, the host should issue a standby immediate or flush cache command before a controlled power off operation to the drive.

## 2.13 HDD and SSD Regulatory Compliance and Safety

For the latest regulatory and compliance information see: <https://www.seagate.com/support/> scroll to bottom of page and click the Compliance, Safety and Disposal Guide link.

### 2.13.1 Regulatory models

The following regulatory model number represent all features and configurations within the series: SKR003

## 2.14 Corrosive Environment

Seagate electronic drive components pass accelerated corrosion testing equivalent to 10 years exposure to light industrial environments containing sulfurous gases, chlorine and nitric oxide, classes G and H per ASTM B845. However, this accelerated testing cannot duplicate every potential application environment.

Users should use caution exposing any electronic components to uncontrolled chemical pollutants and corrosive chemicals as electronic drive component reliability can be affected by the installation environment. The silver, copper, nickel and gold films used in Seagate products are especially sensitive to the presence of sulfide, chloride, and nitrate contaminants. Sulfur is found to be the most damaging. In addition, electronic components should never be exposed to condensing water on the surface of the printed circuit board assembly (PCBA) or exposed to an ambient relative humidity greater than 95%. Materials used in cabinet fabrication, such as vulcanized rubber, that can outgas corrosive compounds should be minimized or eliminated. The useful life of any electronic equipment may be extended by replacing materials near circuitry with sulfide-free alternatives.



## 3. Unpacking, Configuring and Mounting the Drive

This chapter describes how to unpack, mount, configure and connect a BarraCuda. It also describes how to install the drive in systems.

### 3.1 Handling and Static-Discharge Precautions

After unpacking, and before installation, the drive may be exposed to potential handling and electrostatic discharge (ESD) hazards. Observe the following standard handling and static-discharge precautions.

<b>CAUTION</b>	<ul style="list-style-type: none"><li>• Keep the drive in the electrostatic discharge (ESD) bag until ready for installation to limit the drive's exposure to ESD.</li><li>• Before handling the drive, put on a grounded wrist strap, or ground yourself frequently by touching the metal chassis of a computer that is plugged into a grounded outlet. Wear a grounded wrist strap throughout the entire installation procedure.</li><li>• Handle the drive by its edges or frame <i>only</i>.</li><li>• The drive is extremely fragile—handle it with care. Do not press down on the drive top cover.</li><li>• Always rest the drive on a padded, antistatic surface until mounting it in the computer.</li><li>• Do not touch the connector pins or the printed circuit board.</li><li>• Do not remove the factory-installed labels from the drive or cover them with additional labels. Removal voids the warranty. Some factory-installed labels contain information needed to service the drive. Other labels are used to seal out dirt and contamination.</li></ul>
----------------	--

### 3.2 Configuring the Drive

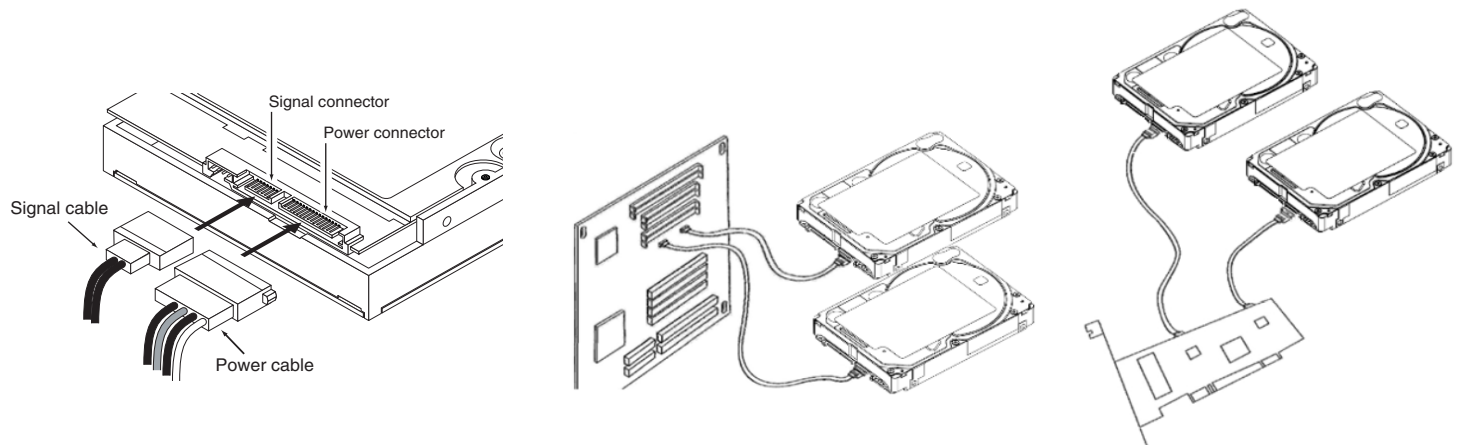
Each drive on the Serial ATA interface connects in a point-to-point configuration with the Serial ATA host adapter. There is no master/slave relationship because each drive is considered a master in a point-to-point relationships. If two drives are attached on one Serial ATA host adapter, the host operating system views the two devices as if they were both "masters" on two separate ports. Both drives behave as if they are Device 0 (master) devices.

#### 3.2.1 Serial ATA Cables and Connectors

The Serial ATA interface cable consists of four conductors in two differential pairs, plus three ground connections. The cable size may be 30 to 26 AWG with a maximum length of one meter (39.37 in). Refer to Table 8 for connector pin definitions. Either end of the SATA signal cable can be attached to the drive or host.

For direct backplane connection, the drive connectors are inserted directly into the host receptacle. The drive and the host receptacle incorporate features that enable the direct connection to be hot pluggable and blind mateable. For installations which require cables, users can connect the drive as shown in 1.

**Figure 1 Attaching SATA Cabling**



Each cable is keyed to ensure correct orientation. BarraCuda drives support latching SATA connectors.

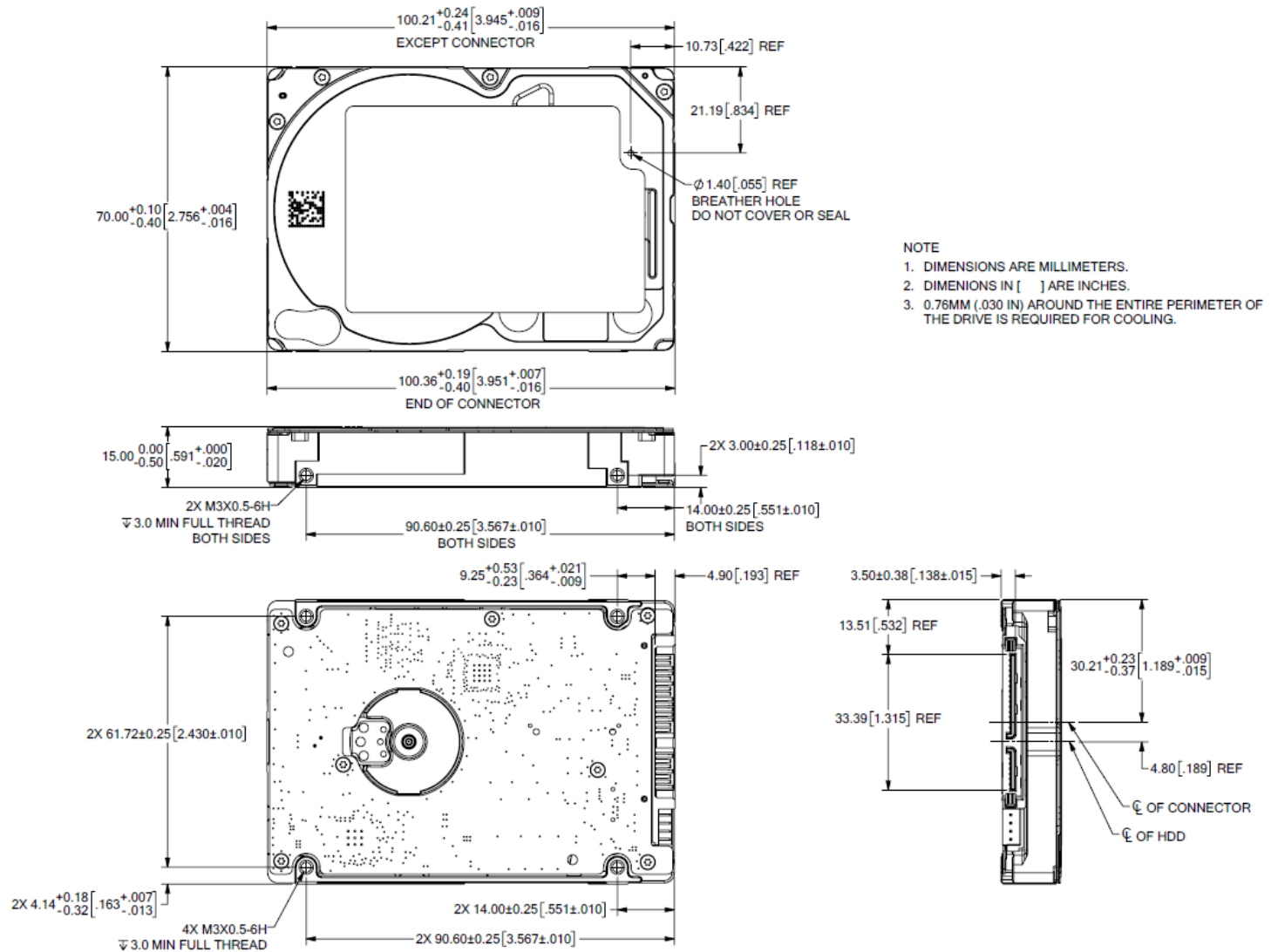
### 3.3 Drive Mounting

Users can mount the drive in any orientation using four screws in the side-mounting holes or four screws in the bottom-mounting holes. Refer to 2 and **Figure 2** for drive mounting dimensions. Follow these important mounting precautions when mounting the drive:

- Allow a minimum clearance of 0.030 in (0.76 mm) around the entire perimeter of the drive for cooling.
- Use only M3 x 0.5 mounting screws.
- Do not overtighten the mounting screws. Maximum torque: 4.0 in-lb (0.4519 N-m).
- Four (4) threads (0.080 in, 2.032 mm) minimum screw engagement recommended.
- Avoid excessive drive distortion when mounting. Refer to the following specifications for stiffness/deflection information:

Top cover stiffness/deflection	
Operating: no performance degradation, emitted noise, mechanical damage, or hard errors	10 mm probe: 2.0kgf (typical)
Non-operating: no hard errors	10 mm probe: maximum 2.0kgf (instantaneous)

**Figure 2** Mounting Dimensions



## 4. Serial ATA (SATA) Interface

These drives use the industry-standard Serial ATA interface that supports FIS data transfers. It supports ATA programmed input/output (PIO) modes 0–4; multiword DMA modes 0–2, and Ultra DMA modes 0–6. The drive also supports the use of the IORDY signal to provide reliable high-speed data transfers.

For detailed information about the Serial ATA interface, refer to the *Serial ATA: High Speed Serialized AT Attachment* specification.

### 4.1 Hot-Plug Compatibility

BarraCuda drives incorporate connectors which enable users to hot plug these drives in accordance with the Serial ATA: High Speed Serialized AT Attachment specification revision 2.0. This specification can be downloaded from [www.serialata.org](http://www.serialata.org). This device requires a COMRESET from the host after a hotplug event.

### 4.2 Serial ATA Device Plug Connector Pin Definitions

Table 8 summarizes the signals on the Serial ATA interface and power connectors. Refer to the *Table Notes* below.

**Table 8 Serial ATA Connector Pin Definitions**

Segment	Pin	Function	Definition
Signal	S1	Ground	2nd mate
	S2	A+	Differential signal pair A from Phy
	S3	A-	
	S4	Ground	2nd mate
	S5	B-	Differential signal pair B from Phy
	S6	B+	
	S7	Ground	2nd mate
<b>Key and spacing separate signal and power segments</b>			
Power	P1	V33	3.3V power
	P2	V33	3.3V power
	P3	V33	3.3V power, pre-charge, 2nd mate
	P4	Ground	1st mate
	P5	Ground	2nd mate
	P6	Ground	2nd mate
	P7	V5	5V power, pre-charge, 2nd mate
	P8	V5	5V power
	P9	V5	5V power
	P10	Ground	2nd mate
	P11	Ground or LED signal	If grounded, drive does not use deferred spin
	P12	Ground	1st mate
	P13	V12	12V power, pre-charge, 2nd mate
	P14	V12	12V power
	P15	V12	12V power

---

## Notes

- 1 All pins are in a single row, with a 1.27 mm (0.050 in) pitch.
- 2 The comments on the mating sequence apply to the case of backplane blindmate connector only. In this case, the mating sequences are:
  - the ground pins P4 and P12.
  - the pre-charge power pins and the other ground pins.
  - the signal pins and the rest of the power pins.
- 3 There are three power pins for each voltage. One pin from each voltage is used for pre-charge when installed in a blind-mate backplane configuration.
- 4 All used voltage pins ( $V_x$ ) must be terminated.

## 4.3 Supported ATA Commands

Table 9 lists Serial ATA standard commands that the drive supports. For a detailed description of the ATA commands, refer to the *Serial ATA International Organization: Serial ATA* (Revision 2.6). Refer to [www.sata-io.org](http://www.sata-io.org).

Refer to **S.M.A.R.T. commands** on page 27 for details and subcommands used in the S.M.A.R.T. implementation.

**Table 9 Supported ATA commands**

ATA-standard commands names	Command code (in hex)
Device Configuration Restore	B1h/C0h
Device Configuration Freeze Lock	B1h/C1h
Device Configuration Identify	B1h/C2h
Device Configuration Set	B1h/C3h
Download Microcode	92h
Execute Device Diagnostics	90h
Flush Cache	E7h
Flush Cache Extended	EAh
Identify Device	ECh
Initialize Device Parameters	91h
Read Buffer	E4h
Read DMA	C8h
Read DMA Extended	25h
Read DMA without Retries	C9h
Read Long with Retries	22h
Read Long without Retries	23h
Read Multiple	C4h
Read Multiple Extended	29h
Read Native Max Address	F8h
Read Native Max Address Extended	27h
Read Sectors	20h
Read Sectors Extended	24h
Read Sectors without Retries	21h
Read Verify Sectors	40h

**Table 9 Supported ATA commands**

ATA-standard commands names	Command code (in hex)	
Read Verify Sectors Extended	42h	
Read Verify Sectors without Retries	41h	
Seek	70h	
Set Features	EFh	
Set Max Address	F9h	
Note: Individual Set Max commands are identified by the value placed in the Set Max Features register as defined to the right.	Address: Password: Lock: Unlock: Freeze Lock:	00 <sub>H</sub> 01 <sub>H</sub> 02 <sub>H</sub> 03 <sub>H</sub> 04 <sub>H</sub>
Set Max Address Ext	37h	
Set Multiple Mode	C6h	
S.M.A.R.T. Disable Operations	B0h/D9h	
S.M.A.R.T. Enable/Disable Autosave	B0h/D2h	
S.M.A.R.T. Enable Operations	B0h/D8h	
S.M.A.R.T. Enable/Disable Auto Offline	B0h/DBh	
S.M.A.R.T. Enable One Attribute Modification	B0h/E0h	
S.M.A.R.T. Execute Offline	B0h/D4h	
S.M.A.R.T. Free Fall Protection Host Interface	FEh	
S.M.A.R.T. Read Attribute Thresholds	B0h/D1h	
S.M.A.R.T. Read Data	B0h/D0h	
S.M.A.R.T. Read Log Sector	B0h/D5h	
S.M.A.R.T. Return Status	B0h/DAh	
S.M.A.R.T. Save Attribute Values	B0h/D3h	
S.M.A.R.T. Write Attribute Thresholds	B0h/D7h	
S.M.A.R.T. Write Attribute Values	B0h/E1h	
S.M.A.R.T. Write Log Sector	B0h/D6h	
Trusted Receive	5Ch	(SED only)
Trusted Receive DMA	5Dh	(SED only)
Trusted Send	5Eh	(SED only)
Trusted Send DMA	5Fh	(SED only)
Write Buffer	E8h	
Write DMA	CAh	
Write DMA Extended	35h	
Write DMA without Retries	CBh	
Write Long with Retries	32h	

**Table 9 Supported ATA commands**

<b>ATA-standard commands names</b>	<b>Command code (in hex)</b>
Write Long without Retries	33h
Write Multiple	C5h
Write Multiple Extended	39h
Write Sectors	30h, 31h
Write Sectors Extended	34h
<b>ATA-standard power-management commands</b>	
Check Power Mode	E5h
Idle	E3h
Idle Immediate	E1h
Sleep	E6h
Standby	E2h
Standby Immediate	E0h
<b>ATA-standard security commands</b>	
Security Set Password	F1h
Security Unlock	F2h
Security Erase Prepare	F3h
Security Erase Unit	F4h
Security Freeze Lock	F5h
Security Disable Password	F6h

### 4.3.1 Identify Device command

The Identify Device command (command code EC<sub>H</sub>) transfers information about the drive to the host following power up. The data is organized as a single 512-byte block of data, whose contents are shown in Table 10. All reserved bits or words should be set to zero. Parameters listed with an “x” are drive-specific or vary with the state of the drive. Refer to [Drive Specifications Summary](#) on page 7 for default parameter settings.

The following commands contain drive-specific features that may not be included in the Serial ATA specification.

**Table 10 Identify Device command**

Word	Description	Value
0	Configuration information: • Bit 15: 0 = ATA; 1 = ATAPI • Bit 7: removable media • Bit 6: removable controller • Bit 0: reserved	0C5A <sub>H</sub>
1	Number of logical cylinders	16,383
2	Specific configuration	C837 <sub>H</sub>
3	Number of logical heads	16
4	Retired	0000 <sub>H</sub>
5	Retired	0000 <sub>H</sub>
6	Number of logical sectors per logical track: 63	003F <sub>H</sub>
7–9	Retired	0000 <sub>H</sub>
10–19	Serial number: (20 ASCII characters, 0000 <sub>H</sub> = none)	ASCII
20	Retired	0000 <sub>H</sub>
21	Retired	8000 <sub>H</sub>
22	Obsolete	0004 <sub>H</sub>
23–26	Firmware revision: (8 ASCII character string, padded with blanks to end of string)	x.xx
27–46	Drive model number: (40 ASCII characters, padded with blanks to end of string)	ST5000LM000-2U8170 ST4000LM024-2U817V
47	(Bits 7–0) Maximum sectors per interrupt on Read multiple and Write multiple (16)	8010 <sub>H</sub>
48	Trusted Computing Feature set options	4001 <sub>H</sub>
49	Standard Standby timer, IORDY supported and may be disabled	2F00 <sub>H</sub>
50	Capabilities	4000 <sub>H</sub>
51	PIO data-transfer cycle timing mode	0200 <sub>H</sub>
52	Retired	0200 <sub>H</sub>
53	Words 54–58, 64–70 and 88 are valid	0007 <sub>H</sub>
54	Number of current logical cylinders	xxxx <sub>H</sub>
55	Number of current logical heads	xxxx <sub>H</sub>
56	Number of current logical sectors per logical track	xxxx <sub>H</sub>
57–58	Current capacity in sectors	xxxx <sub>H</sub>
59	Number of sectors transferred during a Read Multiple or Write Multiple command	xxxx <sub>H</sub>

**Table 10 Identify Device command**

Word	Description	Value
60–61	Total number of user-addressable sectors This field contains a value that is one greater than the total number of user-addressable sectors. The maximum value that shall be placed in this field is 0FFFFFFh. The 0FFFFFFh value applies to all capacities over 137GB (see <a href="#">Section 2.2, Formatted Capacity</a> for related information).	ST5000LM000-2U8170 = 0FFFFFFh ST4000LM024-2U817V = 0FFFFFFh
62	Retired	0000 <sub>H</sub>
63	Multiword DMA active and modes supported (see note following this table)	xx07 <sub>H</sub>
64	Advanced PIO modes supported (modes 3 and 4 supported)	0003 <sub>H</sub>
65	Minimum multiword DMA transfer cycle time per word (120 ns)	0078 <sub>H</sub>
66	Recommended multiword DMA transfer cycle time per word (120 ns)	0078 <sub>H</sub>
67	Minimum PIO cycle time without IORDY flow control (240 ns)	0078 <sub>H</sub>
68	Minimum PIO cycle time with IORDY flow control (120 ns)	0078 <sub>H</sub>
69	Additional Supported bits Bit 4 means Device Encrypts All User Data on the device. Bit 7 means IEEE1667 protocol is supported.	xx1x <sub>H</sub> or xx9x <sub>H</sub>
70–74	ATA-reserved	0000 <sub>H</sub>
75	Queue depth	001F <sub>H</sub>
76	Serial ATA capabilities	0D06 <sub>H</sub>
77	ATA-reserved	0000 <sub>H</sub>
78	Serial ATA features supported	0048 <sub>H</sub>
79	Serial ATA features enabled	0048 <sub>H</sub>
80	Major version number	01F0 <sub>H</sub>
81	Minor version number	0029 <sub>H</sub>
82	Command sets supported	746B <sub>H</sub>
83	Command sets supported	7D69 <sub>H</sub>
84	Command sets support extension	61E3 <sub>H</sub>
85	Command sets enabled	7469
86	Command sets enabled	BC49 <sub>H</sub>
87	Command sets enable extension	61E3 <sub>H</sub>
88	Ultra DMA support and current mode (see note following this table)	xx7F <sub>H</sub>
89	Security erase time	xxxx <sub>H</sub>
90	Enhanced security erase time	xxxx <sub>H</sub>
91	Current APM values	8080 <sub>H</sub>
92	Master password revision code	FFFE <sub>H</sub>
93	Hardware reset value (see description following this table)	xxxx <sub>H</sub>
94	Auto acoustic management setting	xxxx <sub>H</sub>
95	Stream Min. Request Size	0000 <sub>H</sub>



**Table 10 Identify Device command**

Word	Description	Value
96	Streaming Transfer Time - DMA	0000 <sub>H</sub>
97	Streaming Access Latency - DMA and PIO	0000 <sub>H</sub>
98-99	Streaming Performance Granularity	0000 <sub>H</sub>
100-103	Total number of user-addressable LBA sectors available (see <a href="#">Section 3.2, Configuring the Drive</a> for related information) These words are required for drives that support the 48-bit addressing feature. Maximum value: 0000FFFFFFFF <sub>H</sub> .	ST5000LM000-2U8170 = 9,767,541,168 ST4000LM024-2U817V = 3,907,029,168
104	Streaming Transfer Time - PIO	0000 <sub>H</sub>
105	Reserved	0000 <sub>H</sub>
106	Physical sector size / Logical sector size	6003 <sub>H</sub>
107	Seagate reserved	0000 <sub>H</sub>
108-111	The mandatory value of the world wide name (WWN) for the drive. NOTE: This field is valid if word 84, bit 8 is set to 1 indicating 64-bit WWN support.	Each drive will have a unique value.
112-118	ATA-reserved	0000 <sub>H</sub>
119	Free Fall Protection support (bit 5)	1 = Free Fall Protection supported 0 = Free Fall Protection not supported
120	Free Fall Protection enable/disable (bit 5)	1 = Free Fall Protection feature is enabled 0 = Free Fall Protection feature is disabled
121-127	ATA-reserved	0000 <sub>H</sub>
128	Security status	0021 <sub>H</sub>
129-159	Seagate-reserved	xxxx <sub>H</sub>
160-221	ATA-reserved	0000 <sub>H</sub>
222	Transport major version number	101F <sub>H</sub>
223-254	ATA-reserved	0000 <sub>H</sub>
255	Integrity word	xxA5 <sub>H</sub>

<b>Note</b>	See the bit descriptions below for words 63, 88 and 93 of the Identify Drive data. (on next page)
-------------	---

**Table 11 Bit Descriptions**

Description (if bit is set to 1)	
<b>Bit</b>	<b>Word 63</b>
0	Multiword DMA mode 0 is supported.
1	Multiword DMA mode 1 is supported.
2	Multiword DMA mode 2 is supported.
8	Multiword DMA mode 0 is currently active.
9	Multiword DMA mode 1 is currently active.
10	Multiword DMA mode 2 is currently active.
<b>Bit</b>	<b>Word 88</b>
0	Ultra DMA mode 0 is supported.
1	Ultra DMA mode 1 is supported.
2	Ultra DMA mode 2 is supported.
3	Ultra DMA mode 3 is supported.
4	Ultra DMA mode 4 is supported.
5	Ultra DMA mode 5 is supported.
6	Ultra DMA mode 6 is supported.
8	Ultra DMA mode 0 is currently active.
9	Ultra DMA mode 1 is currently active.
10	Ultra DMA mode 2 is currently active.
11	Ultra DMA mode 3 is currently active.
12	Ultra DMA mode 4 is currently active.
13	Ultra DMA mode 5 is currently active.
14	Ultra DMA mode 6 is currently active.
<b>Bit</b>	<b>Word 93</b>
13	1 = 80-conductor cable detected, CBLID above VIH 0 = 40-conductor cable detected, CBLID below VIL

### 4.3.2 Set Features command

This command controls the implementation of various features that the drive supports. When the drive receives this command, it sets BSY, checks the contents of the Features register, clears BSY and generates an interrupt. If the value in the register does not represent a feature that the drive supports, the command is aborted. Power-on default has the read look-ahead and write caching features enabled.

The acceptable values for the Features register are defined as follows:

**Table 12 Set Features command values**

02 <sub>H</sub>	Enable write cache ( <i>default</i> ).
03 <sub>H</sub>	Set transfer mode (based on value in Sector Count register). Sector Count register values:  00 <sub>H</sub> Set PIO mode to default (PIO mode 2). 01 <sub>H</sub> Set PIO mode to default and disable IORDY (PIO mode 2). 08 <sub>H</sub> PIO mode 0 09 <sub>H</sub> PIO mode 1 0A <sub>H</sub> PIO mode 2 0B <sub>H</sub> PIO mode 3 0C <sub>H</sub> PIO mode 4 ( <i>default</i> ) 20 <sub>H</sub> Multiword DMA mode 0 21 <sub>H</sub> Multiword DMA mode 1 22 <sub>H</sub> Multiword DMA mode 2 40 <sub>H</sub> Ultra DMA mode 0 41 <sub>H</sub> Ultra DMA mode 1 42 <sub>H</sub> Ultra DMA mode 2 43 <sub>H</sub> Ultra DMA mode 3 44 <sub>H</sub> Ultra DMA mode 4 45 <sub>H</sub> Ultra DMA mode 5 46 <sub>H</sub> Ultra DMA mode 6
55 <sub>H</sub>	Disable read look-ahead (read cache) feature.
82 <sub>H</sub>	Disable write cache
AA <sub>H</sub>	Enable read look-ahead (read cache) feature ( <i>default</i> ).
C1 <sub>H</sub>	Disable the Free Fall Protection feature (41 <sub>H</sub> above enables the Free Fall Protection feature)
F1 <sub>H</sub>	Report full capacity available

**Note** At power-on, or after a hardware or software reset, the default values of the features are as indicated above

---

### 4.3.3 S.M.A.R.T. commands

S.M.A.R.T. provides near-term failure prediction for disk drives. When S.M.A.R.T. is enabled, the drive monitors predetermined drive attributes that are susceptible to degradation over time. If self-monitoring determines that a failure is likely, S.M.A.R.T. makes a status report available to the host. Not all failures are predictable. S.M.A.R.T. predictability is limited to the attributes the drive can monitor. For more information on S.M.A.R.T. commands and implementation, see the *Draft ATA-5 Standard*.

SeaTools diagnostic software activates a built-in drive self-test (DST S.M.A.R.T. command for D4<sub>H</sub>) that eliminates unnecessary drive returns. The diagnostic software ships with all new drives and is also available at: <http://www.seagate.com/support/downloads/seatools/>.

This drive is shipped with S.M.A.R.T. features disabled. Users must have a recent BIOS or software package that supports S.M.A.R.T. to enable this feature. The table below shows the S.M.A.R.T. command codes that the drive uses.

**Table 13 S.M.A.R.T. Commands**

Code in features register	S.M.A.R.T. command
D0 <sub>H</sub>	S.M.A.R.T. Read Data
D2 <sub>H</sub>	S.M.A.R.T. Enable/Disable Attribute Autosave
D3 <sub>H</sub>	S.M.A.R.T. Save Attribute Values
D4 <sub>H</sub>	S.M.A.R.T. Execute Off-line Immediate (runs DST)
D5 <sub>H</sub>	S.M.A.R.T. Read Log Sector
D6 <sub>H</sub>	S.M.A.R.T. Write Log Sector
D8 <sub>H</sub>	S.M.A.R.T. Enable Operations
D9 <sub>H</sub>	S.M.A.R.T. Disable Operations
DA <sub>H</sub>	S.M.A.R.T. Return Status

**Note**

If an appropriate code is not written to the Features Register, the command is aborted and 0x04 (abort) is written to the Error register.



**Seagate Technology LLC**

AMERICAS Seagate Technology LLC 47488 Kato Road, Fremont, California 94538, United States, 510-661-1000